

Powered Pallet Truck

Heavy Duty Design

- Maneuver loads up ramps and dockboards effortlessly.
- Compact design combines with new technology, making this pallet truck ideal for narrow, cramped aisles. Shortest head length in the market permits the best possible maneuverability.
- Smooth stepless speed control made in Europe.
- Power unit and drive wheel made in Europe.
- Powerful traction battery.



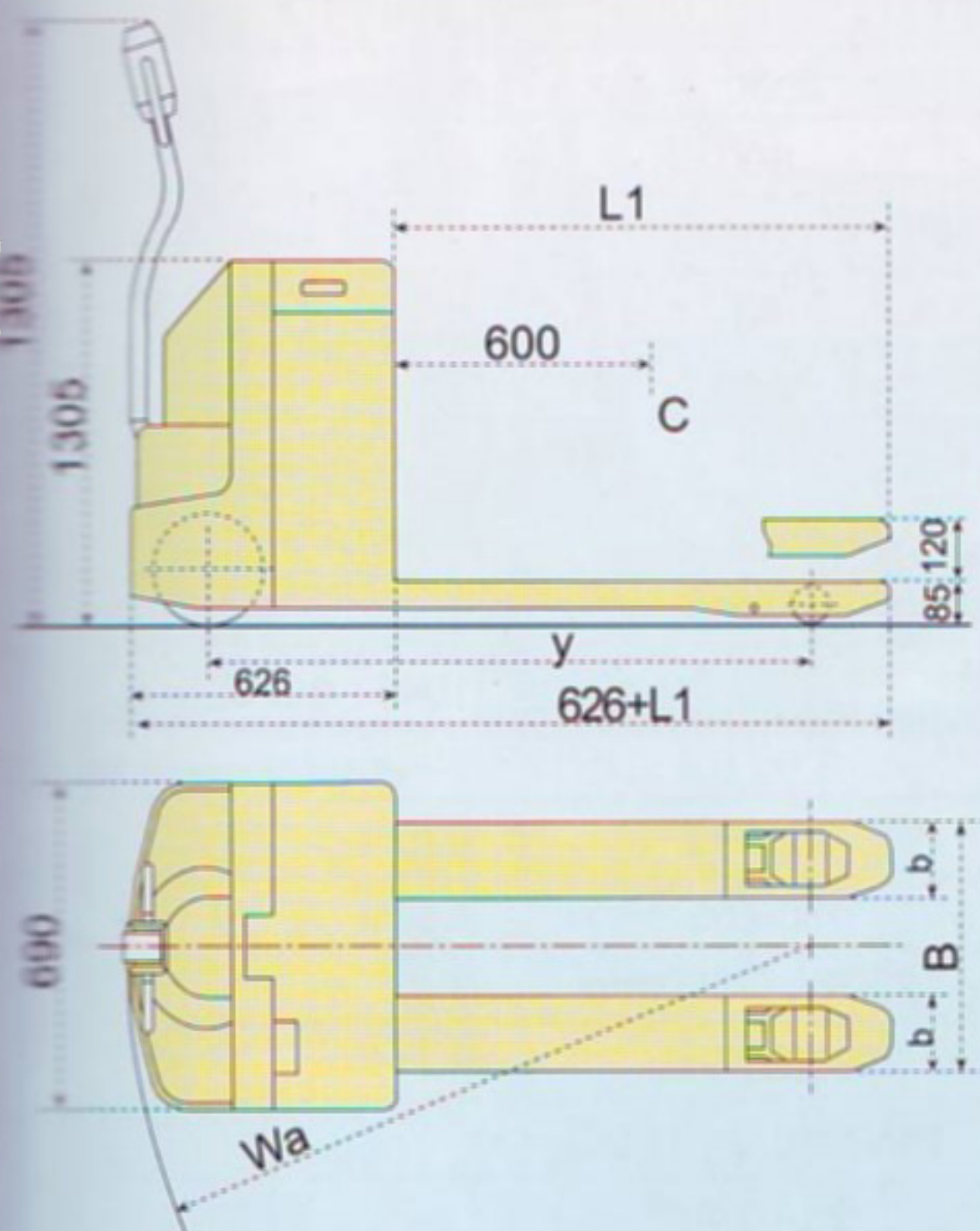
TK20S with platform 490x330mm



TE20S



TK20S



Model		TE20S	TE20L	TK20S	TK20L
Platform		without platform		with platform	
Capacity	(kg)	2000			
Load Center	C(mm)	600			
Max. Fork Height	H(mm)	205			
Lowered Fork Height	h(mm)	85			
Fork Length	L1(mm)	1150			
Overall Fork Width	B(mm)	530	680	530	680
Individual Fork Width	b(mm)	160			
Wheel Base	y(mm)	1406			
Turning Radius	Wa(mm)	1608		1946	
Traveling Speed With/Without Load	(Km/h)	3.6 / 5.4			
Lifting Speed With/Without Load	(mm/s)	22 / 32			
Lowering Speed With/Without Load	(mm/s)	50 / 55			
Drive Wheel		1200W, Ø250mm			
Power Unit (lifting motor)		800W/24V			
Traction Battery		24V/210Ah, 185kg			
Battery Charger		25A/24V			
Overall Dimension	L x W x H (mm)	1781 x 690 x 1305		2125 x 690 x 1305	
Net Weight	(without battery) (kg)	324	329	338	343
Minimum Qty.	(pcs)	2	2	2	2